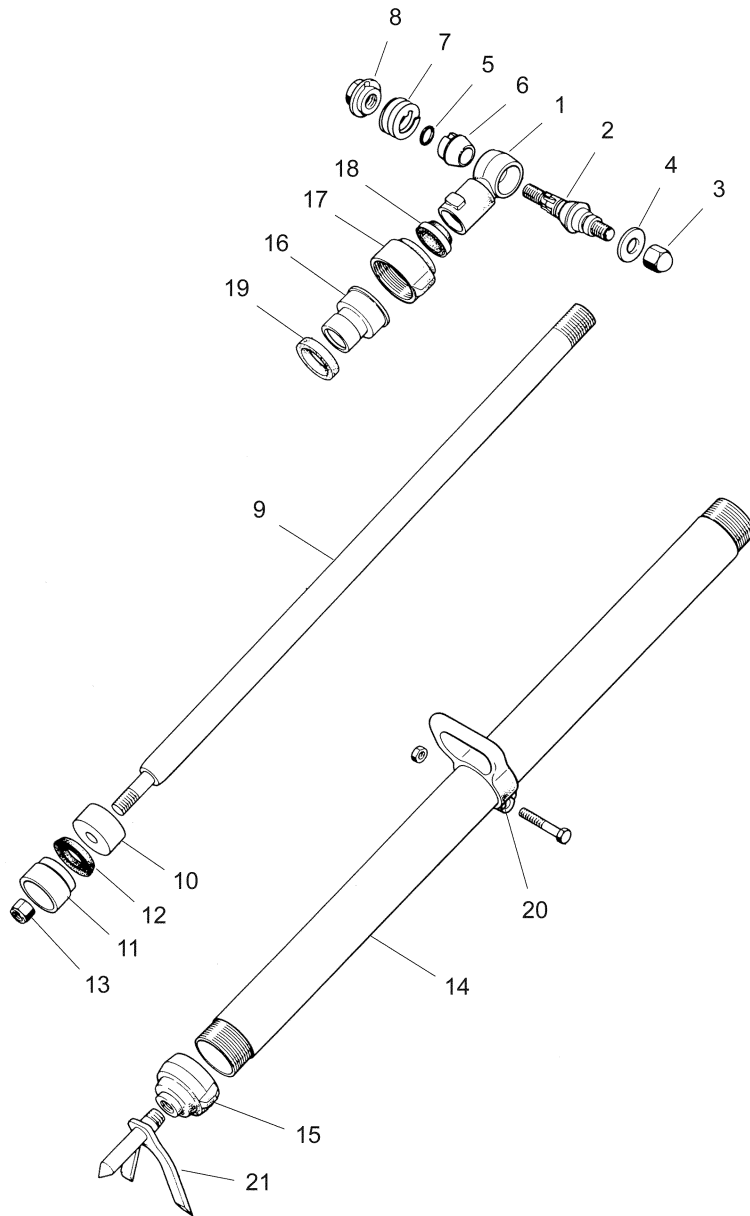


RD_SP_12

Item	Part no.	Qty	Description	Remarks
	783100902F		RD285, WET, SHANK 22X108 MM	Flushing: Water
	7831010000		BACK HEAD GROUP	
1	787502010B	1	BACK HEAD ASSY	Incl. 7825011150 (press fit)
2	7825011150	1	BACK HEAD WASHER	For brazing – 7810010150
3	789782003A	1	CONTROL VALVE BUSHING	
4	7825010020	1	THROTTLE VALVE	
5	782501003C	1	THROTTLE VALVE HANDLE	
6	782501004C	1	THROTTLE VALVE PLUNGER	
7	7898170110	1	THROTTLE VALVE SPRING	
8	7825010060	1	THROTTLE VALVE BOLT	
9	9913235000	1	H NUT	
10	9920135000	1	SPRING WASHER	
11	7825018180	1	HOSE CONNECTION TUBE	
12	7825018190	1	HOSE CONNECTION NUT	
13	782510033A	1	TUBE GLAND GASKET	
14	7825018170	1	O-RING	
15	789782004B	1	FEED CONTROL VALVE	
16	7898170850	1	CONTROL VALVE SPRING	
17	789817024B	1	VALVE RACHET SPRING	
18	7897820270	1	VALVE HANDLE	
19	789782009D	1	CONTROL VALVE SCREW	
20	789782011A	1	SET SCREW	
21	789782012B	1	CONTROL VALVE RACHET	
22	7831010230	1	CONTROL VALVE PIN	
	783105000A		D HANDLE GROUP	
23	783105020A	1	HANDLE SUPPORT ASSY	Incl. 781705253B & 2 x 9954800050
24	781705253B	1	CENTER GRIP	
25	9954800050	2	O RING	
26	9954800090	1	O RING	
27	7825050260	1	RELEASE VALVE PIN	
28	782507027C	1	RELEASE VALVE	
29	782505029A	1	RELEASE VALVE RETAINER	
30	7898170890	1	RELEASE VALVE SPRING	
31	7831052500	1	GRIP SUPPORT ASSY	
	7841100000		WATER CONTROL GROUP	
32	7825101310	1	WATER TUBE GLAND	
33	9954800180	2	O RING	
34	782510033A	1	TUBE GLAND GASKET	

Item	Part no.	Qty	Description	Remarks
35	782510032F	1	WATER VALVE PISTON	
36	9954800030	1	O RING	
37	7898170260	1	WATER VALVE SPRING	
38	7825101380	1	VALVE SPRING RETAINER	
39	7825101390	1	WATER VALVE RETAINER RING	
40	7825100410	1	WATER VALVE SHEET	
41	782510042B	1	WATER VALVE SHEET RETAINER	
42	7825100340	1	TUBE GASKET	
43	7825100350	1	TUBE WASHER	
44	784110036D	1	WATER TUBE	
	783120000B		CYLINDER GROUP	
45	783120050E	1	CYLINDER ASSY	
46	782520063A	1	BLOWER AIR CONNECTION	
47	7898170220	1	AIR CONNECTION SPRING	
48	9954800120	1	O RING	
49	782520065A	1	FEED AIR CONNECTION	
50	783120069B	1	FRONT WASHER	
51	782620054C	1	EXHAUST DEFLECTOR	
	7840310000		VALVE GROUP	
52	784030071A	1	VALVE GUIDE COVER	
53	784030072A	1	VALVE GUIDE	
54	7830300730	1	VALVE	
55	784030075B	1	VALVE CHEST	
	7831423000		ROTATION GROUP	
56	7825420810	1	ROTATION RACHET KEY	
57	7831423820	1	RIFLE BAR	
58	782542083C	4	ROTATION PAWL	
59	782840084A	4	PLUNGER PAWL	
60	7898170840	4	PLUNGER PAWL SPRING	
61	784042086C	1	ROTATION RATCHET	
	7831523000		PISTON GROUP	
62	782552101B	1	RIFLE NUT	
63	7831523030	1	PISTON	
	7831610000		ROTATION SLEEVE GROUP	
64	783161114B	1	ROTATION SLEEVE	
65	782561115D	1	BUSHING SLEEVE	
66	787560113C	1	SLEEVE NUT	
	783170000A		THROUGH BOLT GROUP	
67	782570121A	2	THROUGH BOLT NUT	
68	783170123A	2	THROUGH BOLT	

Item	Part no.	Qty	Description	Remarks
	7827812000E		FRONT HEAD GROUP (PULLER TYPE)	
69	7827812200	1	PLUG ASS	
70	782781232E	1	STEEL HOLDER	
71	782781233A	1	PLUNGER	
72	782781234A	1	STEEL HOLDER PIN	
73	782781235A	1	KEY	
74	782781239A	1	FRONT HEAD BUSHING	
75	782781240A	1	FRONT HEAD (PT)	
76	7898171300	1	SPRING	
77	9957430000	1	RETAINING RING	
	7896099000		WATER HOSE CONNECTION GROUP	
78	7896099310	1	WATER CONNECTION TUBE 1	
79	7896099330	1	WATER CONNECTION TUBE 2	
80	7896099180	1	O RING	
81	7896099320	1	WATER CONNECTION NUT	
82	7896099140	1	HOSE CONNECTION WASHER	
83	7898074010	1	WATER HOSE	
84	7896010040	2	HOSE CLAMP BAND	
85	7896099350	1	WATER HOSE STEM	
86	7896099340	1	WATER HOSE STEM CAP	
87	7896099150	1	O-RING	
88	7896099360	1	WATER HOSE STEM	
89	7896091200	1	WATER VALVE ASSY	
	7895406000		OILER 150	
90	7895406400	1	AIR PIPE ASSEMBLY	
91	7895406060	1	RETAINING RING	
92	7895406070	1	RETAINING PLATE	
93	7895406200	1	OIL PLUG ASSY	
94	7895406500	1	OILER BODY ASSY	
95	7895406440	1	O-RING	
96	7895406430	1	O-RING	
97	7895406010	1	OIL ADJUSTER	
98	9990108000	1	NUT	



RD_SP_14

Item	Part no.	Qty	Description	Remarks
	782790600C		RL85 SUPPORT LEG	Bought separately
1	782590001B	1	SWIVEL	
2	782590002B	1	PIVOT STUD	
3	782590003A	1	PIVOT STUD NUT	
4	9920360000	1	PLAIN WASHER	
5	9954800150	1	O RING	
6	7825900050	1	SPLINED PIVOT CONE	
7	7898170610	1	PIVOT STUD SPRING	
8	782590007A	1	SPRING RETAINING NUT	
9	782790510A	1	FEED PISTON ASSY	
10	781790502A	1	FEED PISTON GUIDE	
11	781790013B	1	PISTON SLEEVE	
12	781790014E	1	FEED PACKING	
13	789783003D	1	LOCK NUT	
14	7827906010	1	FEED CYLINDER	
15	781790025E	1	REAR FEED CYLINDER NUT	
16	781790022B	1	FEED CYLINDER BUSHING	
17	781790023C	1	FEED CYLINDER CAP	
18	789784005D	1	DUST SEAL	
19	7817900280	1	FEED CYLINDER COLLAR	
20	781790035B	1	HOLDING HANDLE ASSY	
21	782890100A	1	U POINT ASSY	